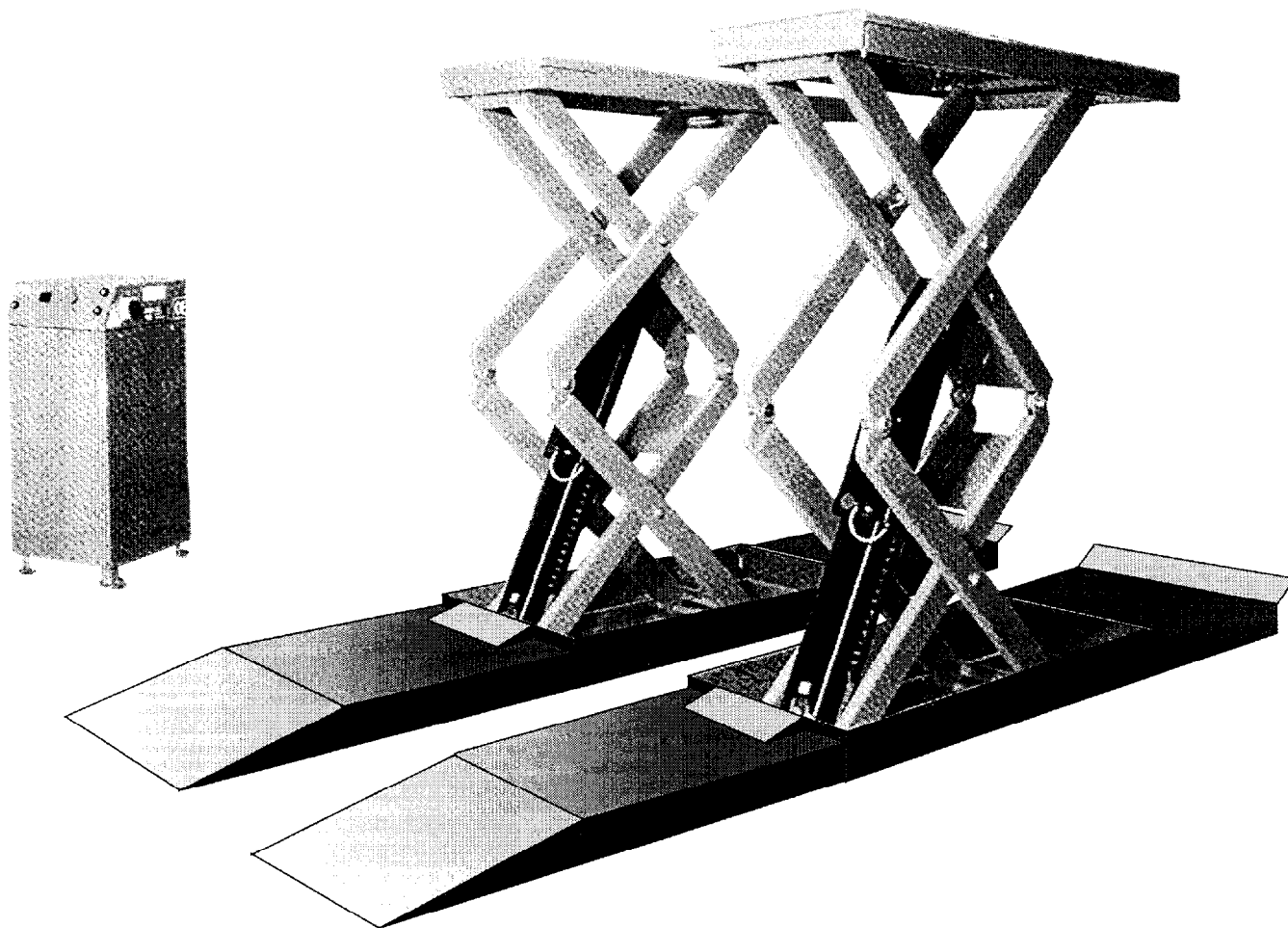




EXPLODED VIEW AND
PARTS LISTS

COBRA



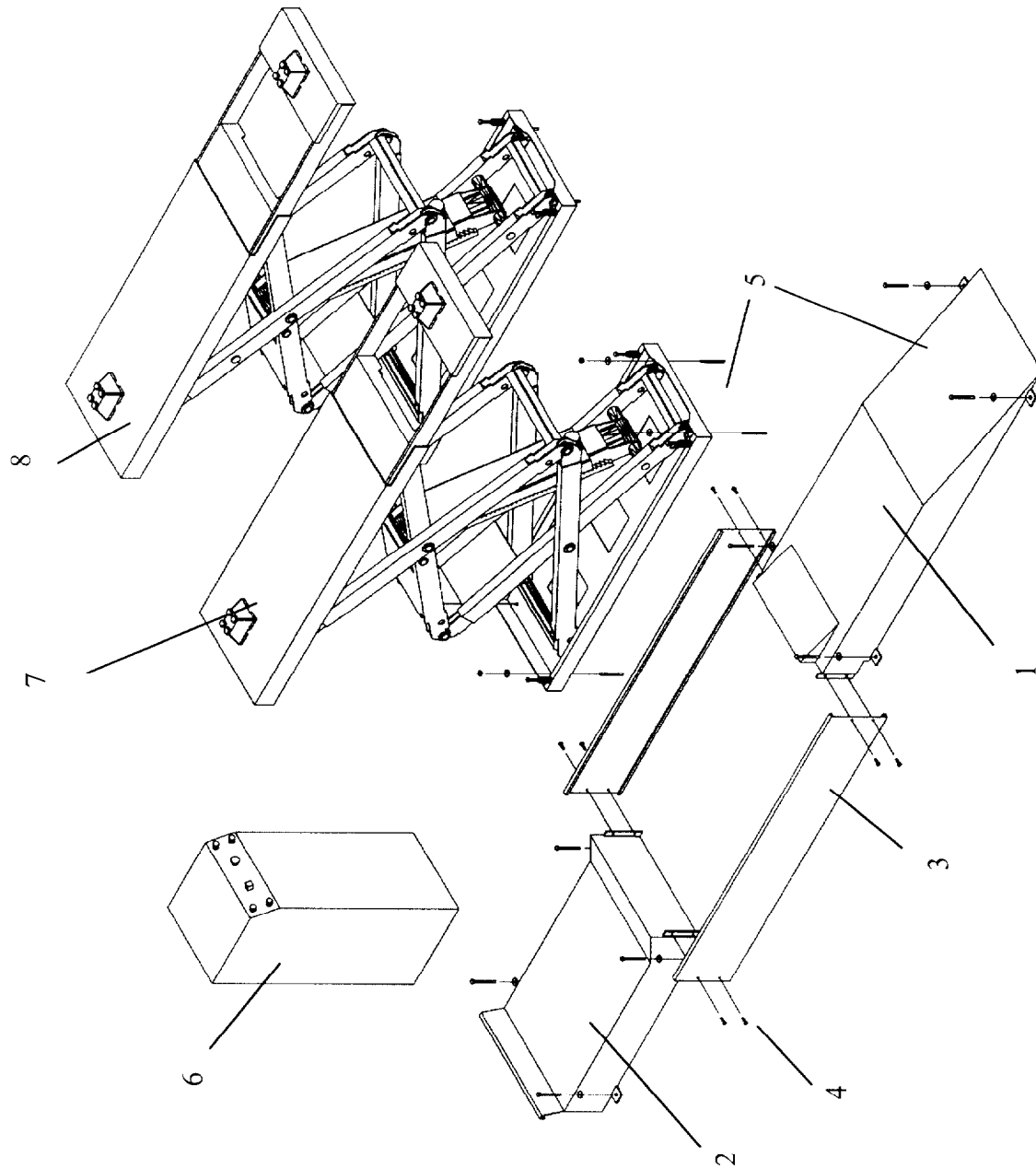
7000 lb. (3175 kg.)
Capacity



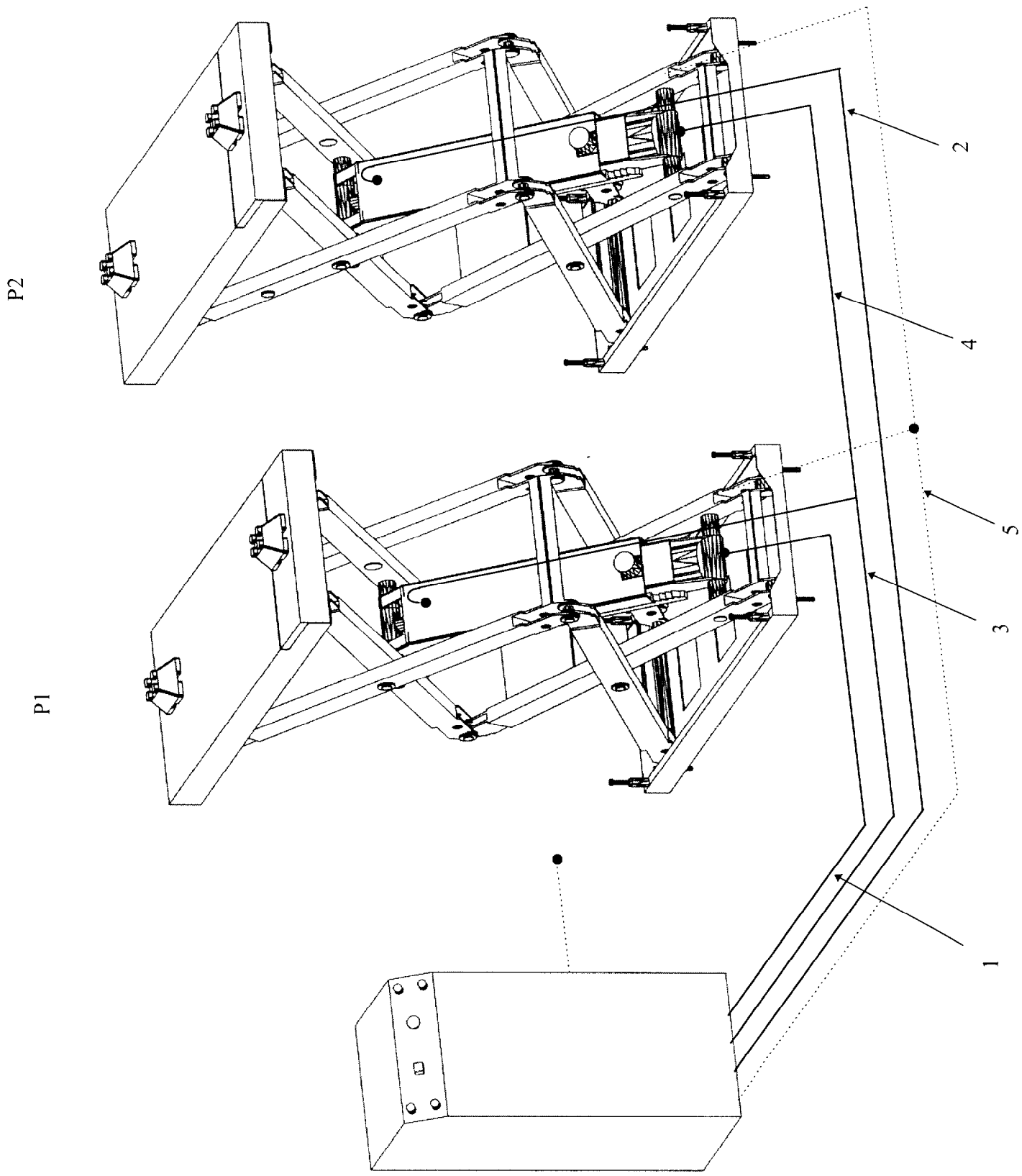
309 EXCHANGE AVENUE, CONWAY, ARKANSAS, 720
TEL: 501-450-1500 FAX: 501-450-1585

Model JBC35196

6-1869 SEPT. 1998



Lift Assembly Parts List



Hydraulic/Air Parts List

PARTS LIST

Item #	Qty.	Description	Part #
1	2	Approach Ramps	2-1260
2	2	Front Wheel Stops	2-1261
3	4	Side Panel	2-1262
4	16	Socket Hd. Cap Screw M6 x 1 L=20mm	6-1564
5	28	Wedge Anchor, 1/2" x 4 1/2" (c/w nuts & washers)	6-0140
6	1	Control Desk	4-0608
7	1	Left Side Deck Ass'y	4-0606
8	1	Right Side Deck Ass'y	4-0607

HYDRAULIC/AIR PARTS LIST

Item #	Qty.	Description	Part #
1	1	Hydraulic Hose "A"	2-1264
2	1	Hydraulic Hose "B"	2-1265
3	1	Hydraulic Hose "C"	2-1266
4	1	Hydraulic Hose "E"	2-1267
5	1	Pneumatic Line	6-1569